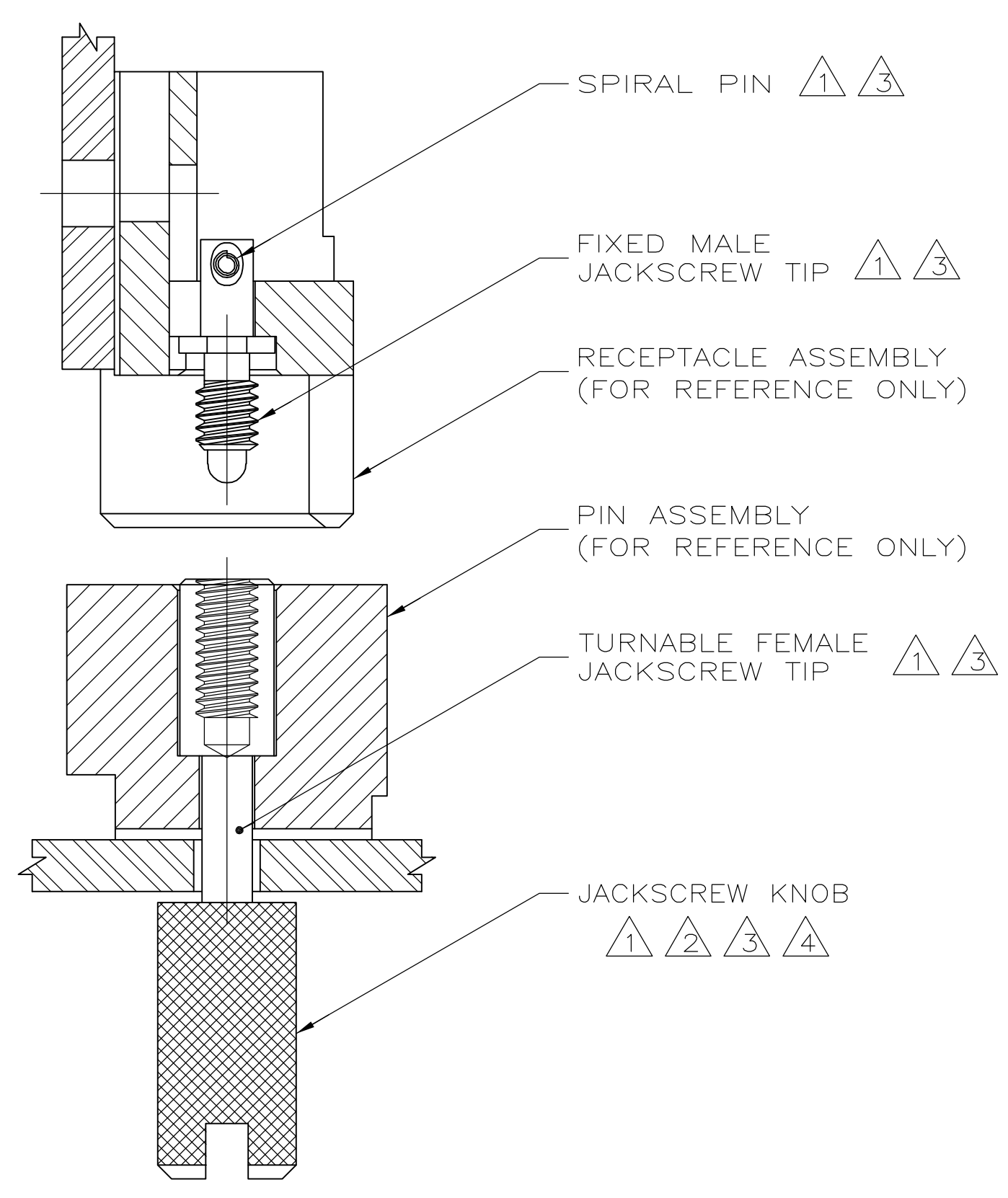
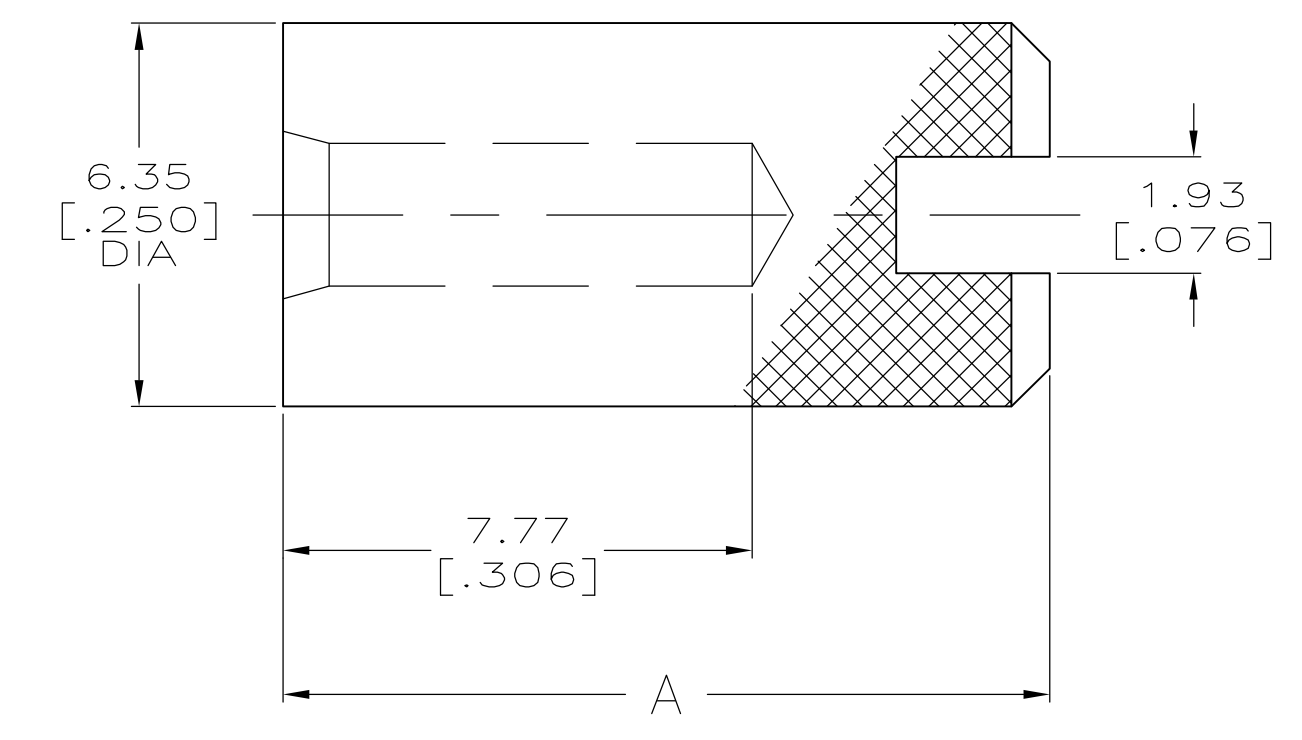
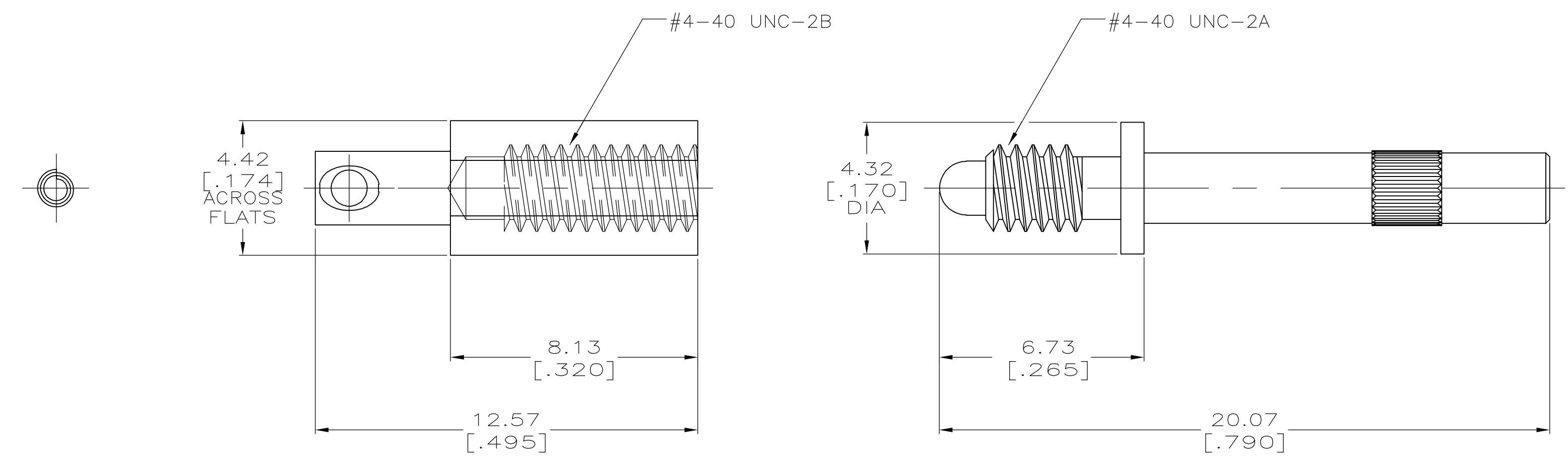


- ① MATERIAL: STAINLESS STEEL.
- ② MATERIAL: BRASS.
- ③ FINISH: PASSIVATE.
- ④ FINISH: 0.00038-0.00102 [.000150-.000400] NICKEL PLATE.
- ⑤ PART NUMBER IS OBSOLETE.



⑤	—	—	—	—	532805-8
⑤	—	—	—	—	532805-7
⑤	—	—	—	—	532805-6
⑤	—	—	—	—	532805-5
⑤	YES	③	①	3.18 [1.250]	532805-4
⑤	YES	③	①	1.27 [.500]	532805-3
⑤	NO	③	①	1.27 [.500]	532805-2
⑤	—	③	①	—	532805-1
	SLOT FOR SCREWDRIVER	FINISH	MATERIAL	A	PART NUMBER

THIS DRAWING IS A CONTROLLED DOCUMENT.

DIMENSIONS: mm [INCHES]	TOLERANCES UNLESS OTHERWISE SPECIFIED:	0 PLC ± .005	1 PLC ± .005	2 PLC ± .005	3 PLC ± .005	4 PLC ± .005	ANGLES ± .005	FINISH
DWG: R.K. SEIFRIED 05/30/90 CHK: G. SKIPPER 1-31-94 NAME:		tyco Electronics		Tyco Electronics Corporation Harrisburg, PA 17105-3608				PRODUCT SPEC APPLICATION SPEC
MATERIAL: ① ②		WEIGHT: —		SIZE: A1		CAGE CODE: 00779		DRAWING NO: 532805
CUSTOMER DRAWING		SCALE: 8:1		SHEET: 1 OF 1		REV: J		